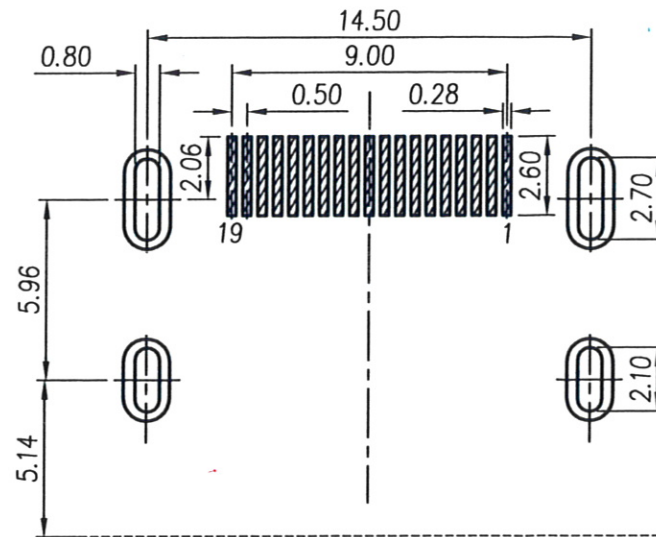
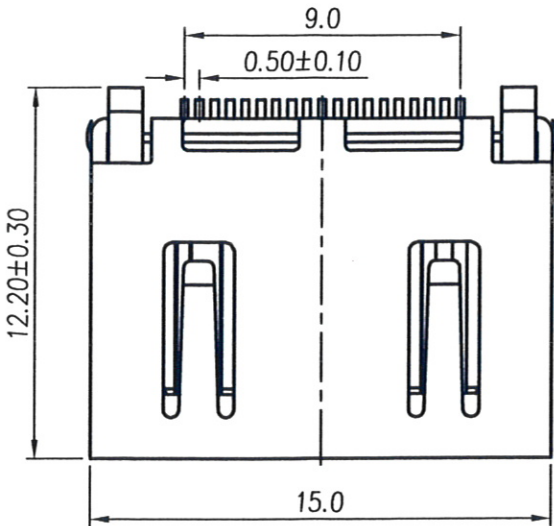
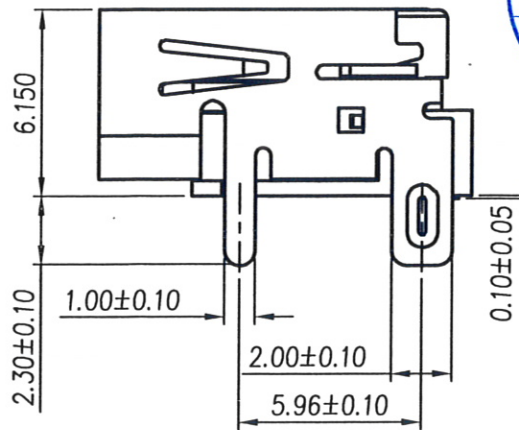
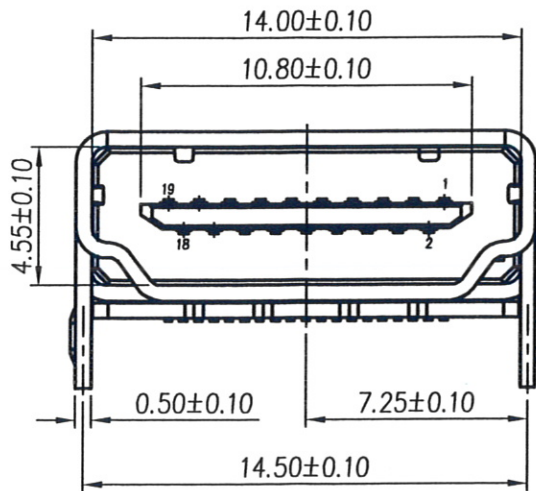


RoHS Compliant



RECOMMENDED P.C.B LAYOUT  
(TOLERANCE: ±0.05)



REV	MODIFICATION	DATE	DRAW
A1	Release To ECN20120604	2012.06.25	Michelle
A2	Release To ECN20130101~02	2013.01.04	Michelle
A3	Release To ECN20140511	2014.05.21	Michelle

Specification

- 1.Current Rating: 0.5A AC/DC
- 2.Voltage Rating: 40V AC/DC
- 3.Contact Resistance: 30mΩ Max.
- 4.Insulation Resistance: 100MΩ Min. AT DC 100V
- 5.Dielectric Withstanding Voltage: AC500V/Minute
- 6.Operating Temperature: -20°C~+85°C

Material:

- 1.Housing: High Temperature Thermoplastic UL94V-0
- 2.Contact Pin: Copper Alloy T=0.25mm
- 3.Shell: Copper Alloy T=0.50mm

Finish:

- 1.Housing: Black
- 2.Contact Pin: Contact Area See P/N Option  
Tail Area Tin Plated Over Nickel
- 3.Shell: Nickel Plated

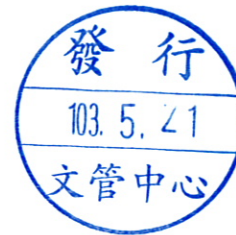
PART NO.: FMC0101 19 5 9 Y 6

Number of Pin  
19

Packing  
Y: Tray

Housing Material  
5:LCP 94V-0 Black

Plating  
9:Gold Plated 15u"



**金上達科技股份有限公司**  
GOLDENSUNDA TECHNOLOGY CO.,LTD

TOLERANCE UNLESS OTHERWISE SPECIFIED		PROJ.	TITLE: HDMI 0.50mm 90° 19Pin SMT With Spring A Type			
.x±0.35	x.±2'	APR. C.F.Liao 20140521	PART NO. FMC01011959Y6		DWG NO. FMC01011959Y6	
.xx±0.25	.x'±1'	CHK. Abel 20140521	UNITS: mm	CUSTOMER DRAWING		
.xxx±0.15	.xx'±0.5'	DRA. Michelle 20140521	SIZE: A4	SCALE 4:1	SHEET 1 / 1	
			REV A3	V		