

REV	MODIFICATION	DATE	DRAW
A0	Release To FAI20120823	2012.09.04	Seven
A1	Release To ECN20140306	2014.03.20	Michelle

Specification

- 1.Current Rating:1.5A AC (Per Pin)
- 2.Voltage Rating:15V DC Max.
- 3.Contact Resistance:30mΩ Max.
- 4.Insulation Resistance:1000MΩ Min.
- 5.Dielectric Withstanding Voltage:AC500V/Minute
- 6.Operating Temperature:-55°C~+85°C Δ

Material:

- 1.Housing:High Temperature Thermoplastic UL94V-0
- 2.Contact Pin:Copper Alloy
- 3.Board Lock:Copper Alloy

Finish:

- 1.Housing:Black
- 2.Contact Pin:See P/N Option
- 3.Board Lock:Tin Plated Over Nickel

Part No.: HMA1000 07 E 5 T 6

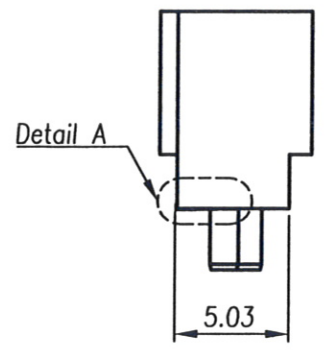
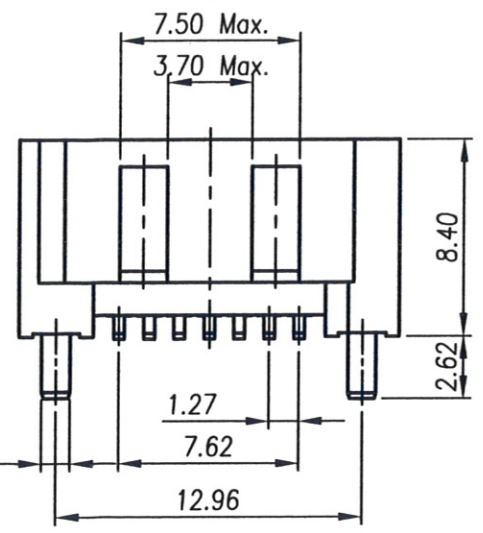
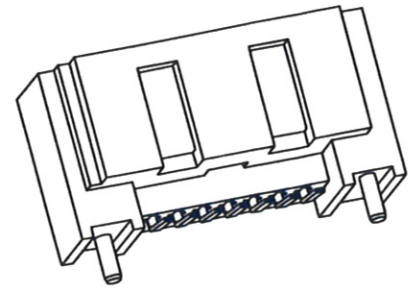
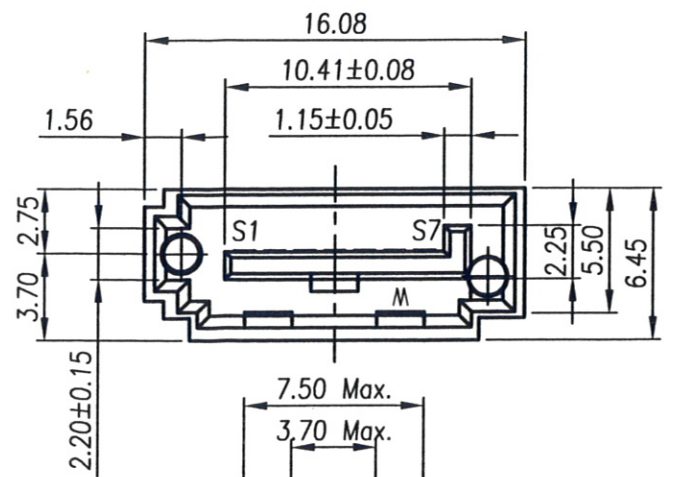


Number Of Pin
07

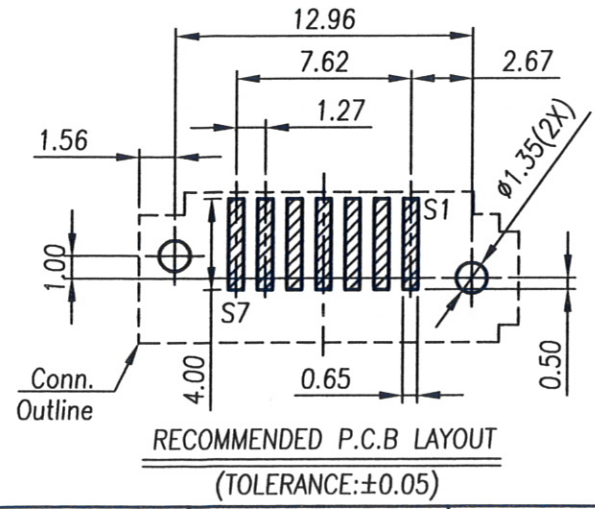
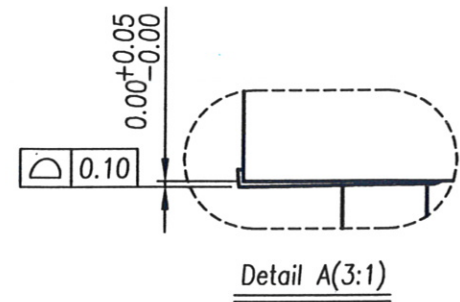
Packing
T:Tube

Housing Material
 Δ E:LCP UL94V-0 Black


Plating
5:Contact Area->Gold 15u" min.
Solder tail Area->Sn Plated 100u" min.
Nickel 40u" min. Under Plated Over All.



Signal	
Pin	Type
S1	GND
S2	A+
S3	A-
S4	GND
S5	B-
S6	B+
S7	GND

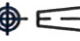


RoHS Compliant



金上達科技股份有限公司

GOLDENSUND TECHNOLOGY CO.,LTD

TOLERANCE UNLESS OTHERWISE SPECIFIED		PROJ. 	TITLE: SATA 7P Straight SMT B Type Shield Rounded Copper Pole(Through Type) Male	
.x± 0.35	x.± 2'	APR. C.F. Liao 20140320	PART NO. HMA100007E5T6	DWG NO. HMA100007E5T6
.xx± 0.25	.x± 1'	CHK. Abel 20140320	UNITS: mm CUSTOMER DRAWING	
.xxx± 0.15	.xx± 0.5'	DRW. Michelle 20140320	SIZE: A4	SCALE 3:1 SHEET 1 / 1 REV A1 V