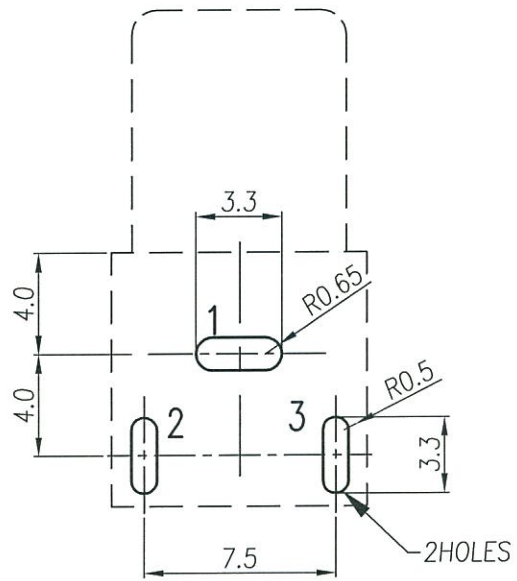
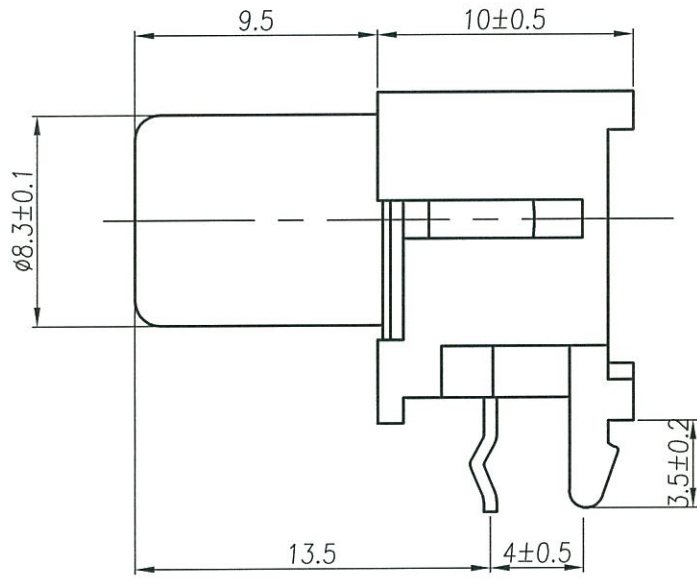
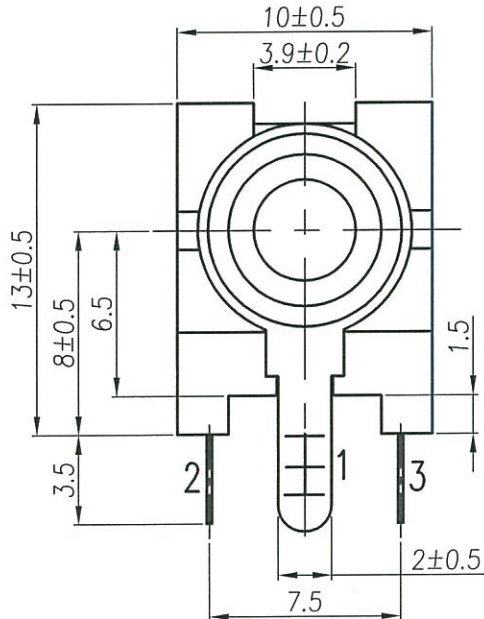


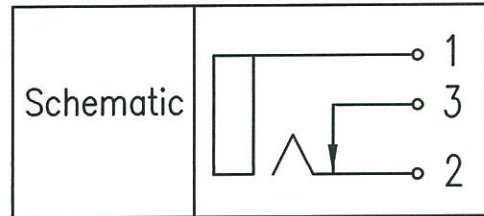
RoHS Compliant

REV	MODIFICATION	DATE	DRAW
A0	Refer to ECN20160807	20160822	Vick

Specification
 1.Current Rating:0.2A DC
 2.Voltage Rating:30V DC
 3.Contact Resistance:30mΩ Max.
 4.Insulation Resistance:100MΩ Min.
 5.Dielectric Withstand Voltage:AC500V/Minute
 6.Operating Temperature:-25°C~+60°C
Material:
 1.Housing:High Temperature Thermoplastic UL94V-0
 2.Contact:Copper Alloy T=0.4mm
 3.Tip Spring:C2680
 4.Ring Spring:C5191
Finish:
 1.Housing:Red/White
 2.Contact Pin:See P/N Option
 3.Tip Spring:Tin Plated
 4.Ring Spring:Tin Plated
 Part No.:GDBXX01 03 A
 No. Of Pin ——— 1 B A
 03Pin ——— Packing
 B:Bag
 Housing Material ——— Plated
 A:PBT UL94V-0 1:Bright Tin Plated



PART NO.	COLOR
GDB060103A1B6	RED
GDB070103B1B6	WHITE



		<h3>金上達科技股份有限公司</h3> <p>GOLDENSUND TECHNOLOGY CO.,LTD</p>			
TOLERANCE UNLESS OTHERWISE SPECIFIED .x± 0.35 x.*± 2' .xx± 0.25 .x.*± 1' .xxx± 0.15 .xx.*± 0.5'		PROJ. TITLE: RCA JACK DIP 90D APR. Jefferson 20160822 PART NO. GDBXX0103A1BA CHK. Abel 20160822 DWG NO. GDBXX0103A1BA DRA. Vick 20160822 UNITS: mm CUSTOMER DRAWING		SCALE FREE SHEET 1 / 1 REV A0 V	