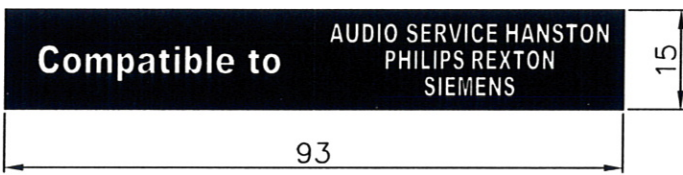
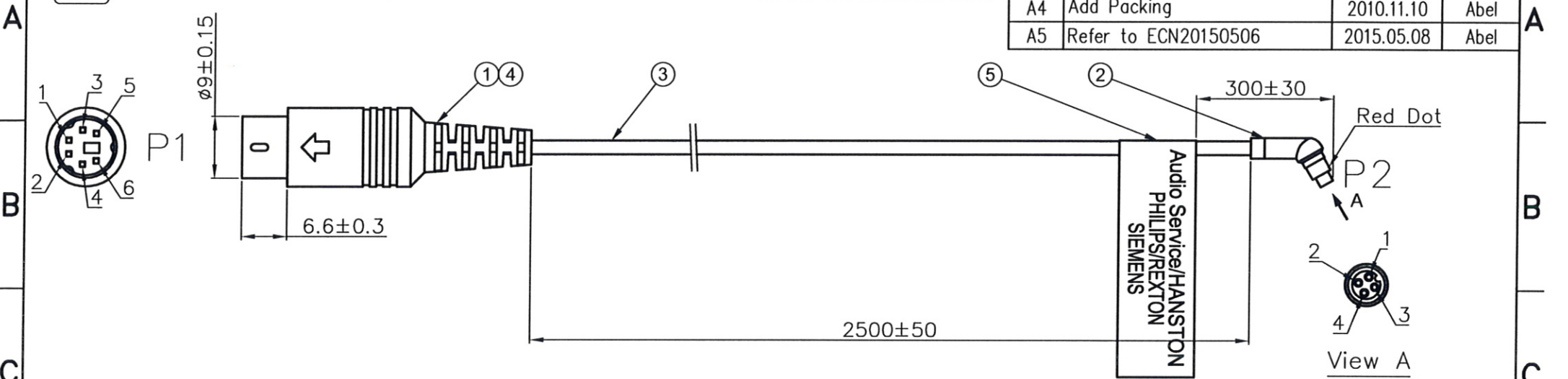
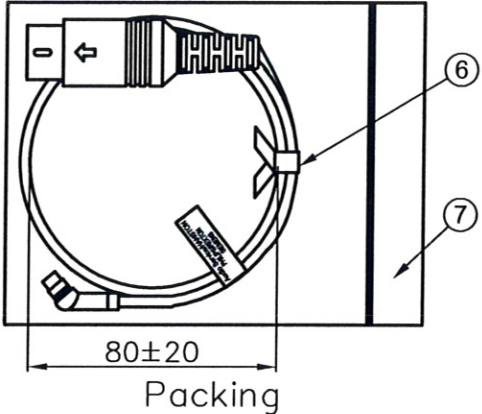


RoHS Compliant

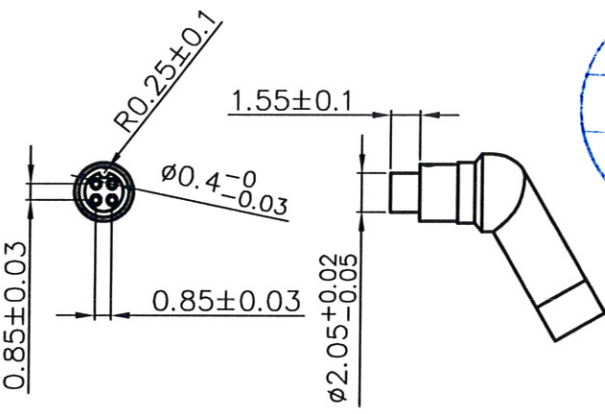
REV	MODIFICATION	DATE	DRAW
A3	Add Lable	2009.06.16	Abel
A4	Add Packing	2010.11.10	Abel
A5	Refer to ECN20150506	2015.05.08	Abel



Content Of Lable



Packing




P1	P2
1 White	4
2 Shield	3
3 Black	2
4 Brown	1

PIN OUT

- Electrical Properties
- 1.100% Test(Open Short Miss Wire)
 - 2.Contact Resistance: 3Ω Maximum
 - 3.Insulation Resistance: 10MΩ Minimum
 - 4.Hi-Pot: 100V 10ms

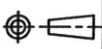
ITEM	PARTS NAME	SPECIFICATION STANDARD	Q'TY	REMARK
7	ZIPLOCK BAG	140mmx85mmx0.04mm	1PCS	.
6	CABLE TIE	L=60mm Color:Black	1PCS	.
5	LABEL	Lable Material:PP 93mmx15mm t=0.013mm 紅底白字 (J5000000019BE)	1PCS	.
4	MOLDING	PVC 45P Color:Gray 9u (V06V0000005053)	7g	.
3	CABLE	{(7/0.05US+高強力纖維紗100D)+Hytrle O.D:0.34}x3C白/黑/棕+高強力纖維紗400D}+45/0.05TC+TPU NON-UL OD:2.0mm Color:Gray (T0000000006A0)	1PCS	.
2	CONNECTOR	CS44 Connector Color:Red 186C J5000000001BB+J5000000002BB+J5000000003BB+J5000000017BE+L88CS020330R2)	1SET	.
1	CONNECTOR	Mini Din 6Pin Male Nickel Plated (GS101020641BC)	1PCS	.

MATERIAL LIST



金上達科技股份有限公司

GOLDENSUNDA TECHNOLOGY CO.,LTD

TOLERANCE UNLESS OTHERWISE SPECIFIED		PROJ. 	TITLE: Min DIN 6Pin To CS44(Red:186C) OD=2.0mm L=2500mm	
.x± 0.35	.x'± 2'	APR. C.F. Liao 20150508	PART NO. Q0000000081D2	DWG NO. Q0000000081D2
.xx± 0.25	.x'± 1'	CHK. Michelle 20150508	UNITS: mm	CUSTOMER DRAWING
.xxx± 0.15	.xx'± 0.5'	DRA. Abel 20150508	SIZE: A4	SCALE FREE SHEET 1 / 1 REV A5

