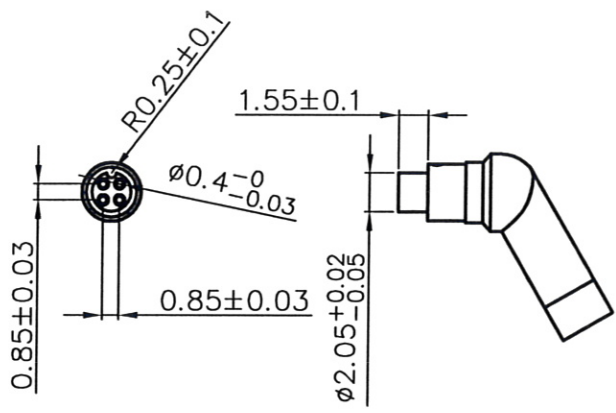
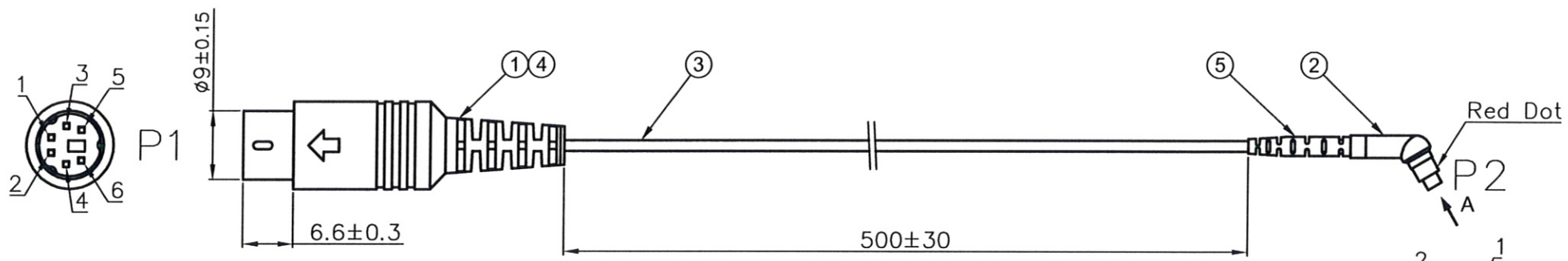



RoHS Compliant

REV	MODIFICATION	DATE	DRAW
A1	Modify Ping Out NO./Add Dim.	2009.06.09	Abel
A2	Add Specification/Dim.	2009.06.09	Abel
A3	Refer to ECN20150506	2015.05.08	Abel



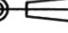
P1	White	P2	
1	Shield	4	
2	Black	3	
3	Brown	2	
4		1	
PIN OUT			

ITEM	PARTS NAME	SPECIFICATION STANDARD	Q'TY	REMARK
5	SR	PE Color: Red(201C) (J5000000008B1)	1PCS	.
4	MOLDING	PVC 45P Color: Red(200C) (V08V000002073)	7g	.
3	CABLE	{[(7/0.05US+高強力纖維紗100D)+Hytrie O.D: 0.34]x3C白/黑/棕+高強力纖維紗400D}+45/0.05TC+TPU NON-UL OD: 1.4mm L=590mm Color: Black (T0000000010A3)	1PCS	.
2	CONNECTOR	CS44 Connector Color: Red 201C (J5000000001BB+J5000000006BB+J5000000007BB+J5000000017BE+L88CS020330R2)	1SET	.
1	CONNECTOR	Mini Din 6Pin Male Nickel Plated (GS101020641BC)	1PCS	.
MATERIAL LIST				



## 金上達科技股份有限公司

GOLDENSUNDA TECHNOLOGY CO.,LTD

TOLERANCE UNLESS OTHERWISE SPECIFIED		PROJ. 	TITLE: Min DIN 6Pin To CS44(Red:201C) OD=1.4mm L=500mm	
.x± 0.35	x.'± 2'	APR. C.F. Liao 20150508	PART NO. Q0000000084D2	DWG NO. Q0000000084D2
.xx± 0.25	.x'± 1'	CHK. Michelle 20150508	UNITS: mm	<b>CUSTOMER DRAWING</b>
.xxx± 0.15	.xx'± 0.5'	DRA. Abel 20150508	SIZE: <b>A4</b>	SCALE FREE
		SHEET 1 / 1	REV A3	

1

2

3

4

5

6

7

8

A

B

C

D

E

F

A

B

C

D

E

F