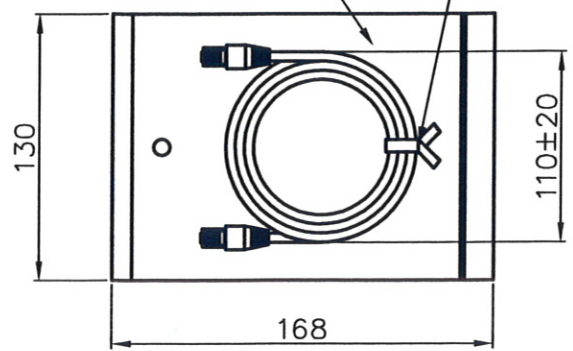
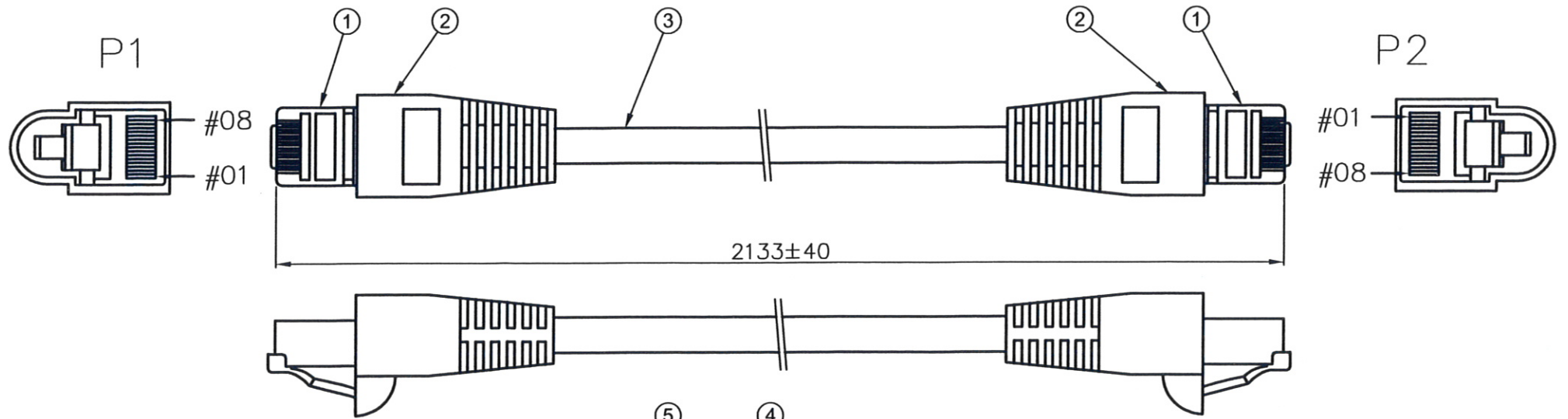


RoHS Compliant


REV	MODIFICATION	DATE	DRAW
A3	ECN 2011 03002	2011.03.08	Abel
A4	Refer to ECN20131014	2013.10.24	Abel
A5	Refer to ECN20140302	2014.03.13	Abel



P1	PIN	OUT	P2
3	Orange/White	XX	1
6	Orange	XX	2
1	Green/White	XX	3
4	Blue	XX	4
5	Blue/White	XX	5
2	Green	XX	6
7	Brown/White	XX	7
8	Brown	XX	8

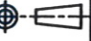
Electrical Properties
 1.100% Test(Open Short Miss Wire)
 2.Contact Resistance:2Ω Maximum
 3.Insulation Resistance:5MΩ Minimum
 4.Hi-Pot: 300V 10ms

Packing



金上達科技股份有限公司

GOLDENSUNDA TECHNOLOGY CO.,LTD

TOLERANCE UNLESS OTHERWISE SPECIFIED		PROJ. 	TITLE: Cable RJ45 Male To RJ45 Male CAT.5e 568B #24x4P Yellow OD=5.5mm L=2133mm	
.x± 0.35	x.'± 2'	APR. C.F. Liao 20140313	PART NO. Q0000000041B2	DWG NO. Q0000000041B2
.xx± 0.25	.x'± 1'	CHK. Michelle 20140313	UNITS: mm	
.xxx± 0.15	.xx'± 0.5'	DRAW. Abel 20140313	CUSTOMER DRAWING	
		SIZE: A4	SCALE: FREE	SHEET 1 / 1
			REV: A5	V

ITEM	PARTS NAME	SPECIFICATION STANDARD	Q'TY	REMARK
5	BAG	130mmx168mm	1PCS	
4	TIE	White	1PCS	
3	CABLE	Lan Cable CAT.5e 24AWGx4P OD:5.5mm Yellow L=2133mm	1PCS	
2	HOUSING	Overmold PVC Color: Yellow	10g	
1	CONNECTOR	RJ45 8P8C Pin Gold 3u" Round Hole	2PCS	

MATERIAL LIST

1 2 3 4 5 6 7 8

A B C D E F