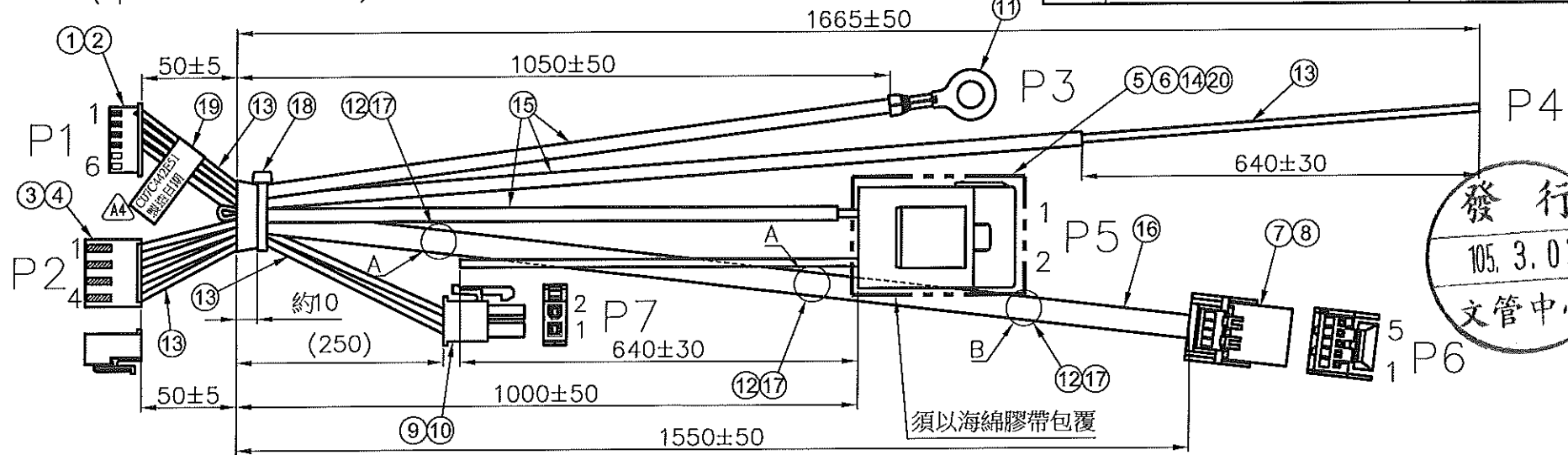


1. PVC套管 $\phi 8.38$ 內之並打線，由P1端開始，依序為紅/白色，黑色，紅色
 2. 三處並打線之位置必須分開，不可在同一位置上
 3. 100% Test(Open Short Miss Wire)
4. 標籤印字內容如下:
 第一行為:C07C442B51
 第二行為:製造日期

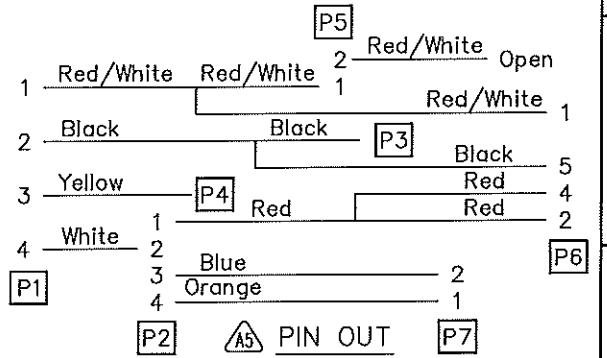
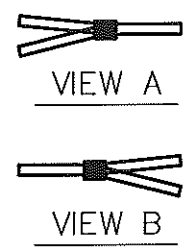
RoHS Compliant

REV	MODIFICATION	DATE	DRAW
A3	Refer to ECN20140901	2014.09.02	Michelle
A4	Refer to ECN20150806	2015.08.24	Abel
A5	Refer to ECN20160302	20160302	Abel



發行
105. 3. 02
文管中心

ITEM	PARTS NAME	SPECIFICATION	STANDARD	Q'TY	REMARK
20	泡棉	LxWxt=40mmx90mmx3mm(ref.)	AA	1PCS	
19	LABEL	LxW=40x15mm(ref.) Background:White Print:Black	AA	1PCS	
18	TIE	Cable Ties Nylon66 UL94V-2 Color:Nature 3.2x120mm		1PCS	
17	H.S. TUBE	$\phi 4.0$ mm L=20mm Color:Black		2PCS	
16	PVC TUBE	CFT-300 $\phi 8.38$ mm t=0.45mm L=1500mm Color:Black		1PCS	
15	PVC TUBE	CFT-300 $\phi 4.22$ mm t=0.45mm L=1050&1015&950mm Color:Black		1PCS	
14	FUSE	1.0Amp 32V DC Zinc Alloy & Plastic Color:Black		1PCS	
13	WIRE	AVSS0.50 OD=1.60mm(STD) Color:Ref. Pin Out		1SET	
12	TERMINAL	Splices Terminal Brass W/O Plated		2PCS	
11	TERMINAL	Spade Tongue Terminal Brass Tin Plated ID=6.4mm OD=12mm		1PCS	
10	TERMINAL	4.20mm Female Brass Tin Plated	AS	2PCS	
9	HOUSING	4.20mm 2x1Pin(M) Nylon66 UL94V-2 Color:Transparence White	AS	1PCS	
8	TERMINAL	2.5mm Phosphor Bronze Tin Plated		4PCS	
7	HOUSING	2.5mm 5Pin FR-PBT Color:Green		1PCS	
6	TERMINAL	Fuse Type Brass W/O Plated		2PCS	
5	HOUSING	Fuse Type Nylon66 Color:Black		1PCS	
4	TERMINAL	3.96mm Brass Applicable Wire: #18~#22 Tin Plated		4PCS	
3	HOUSING	3.96mm 4Pin Nylon66 UL94V-0 Color:White	AS	1PCS	
2	TERMINAL	2.5mm Brass Applicable Wire: #22~#28 Tin Plated		4PCS	
1	HOUSING	2.5mm 6Pin Nylon66 UL94V-0 Color:White		1PCS	
MATERIAL LIST					



金上達科技股份有限公司
GOLDENSUNDA TECHNOLOGY CO.,LTD

TOLERANCE UNLESS OTHERWISE SPECIFIED

.x± 0.35	x.± 2'	APR. C.F.Liao 20160302	TITLE: Wire Harness 2.5mm 6Pin & 3.96mm 4Pin To 2.5mm 5Pin & Fuse & Other AVSS0.50
.xx± 0.25	.x'± 1'	CHK. Michelle 20160302	PART NO. P0000000897D0 DWG NO. P0000000897D0
.xxx± 0.15	.xx'± 0.5'	DRAW. Abel 20160302	UNITS: mm CUSTOMER DRAWING

SIZE: A4 SCALE: FREE SHEET 1 / 1 REV: A5 V