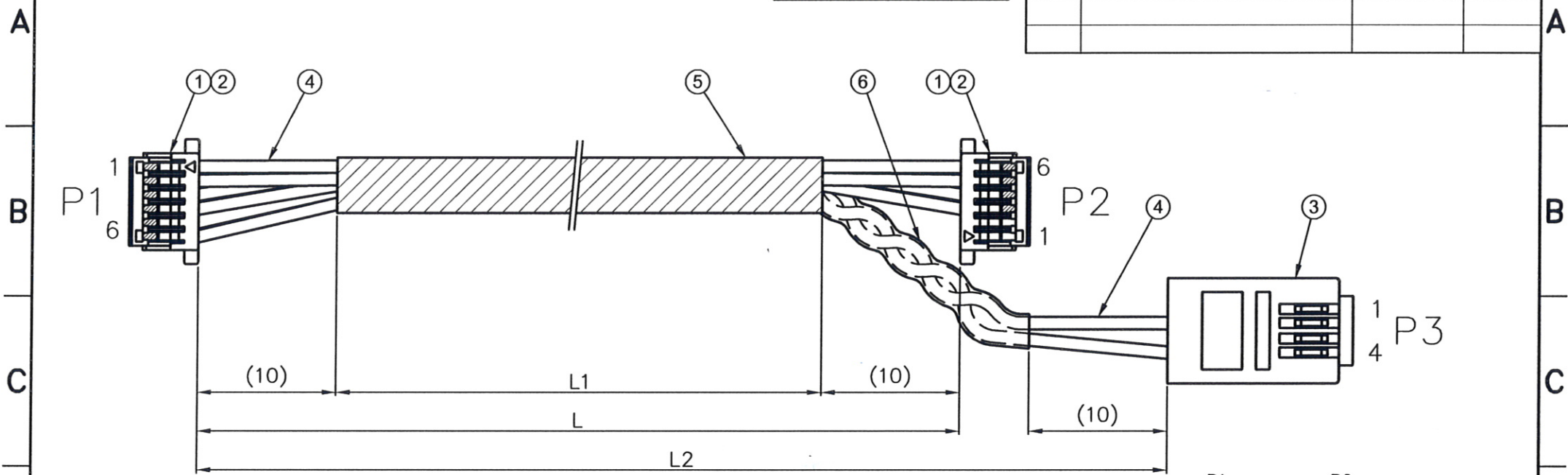


RoHS Compliant

REV	MODIFICATION	DATE	DRAW
A0	Refer to S1302003-2	20130204	Abel




P1	1 Red	P2	6	P1	N/A	P3	1
	2 Black XX		5		Green		2
	3 Brown		4		N/A		3
	4 Orange XX		3		N/A		4
	N/A		2		White		
	N/A		1				

PIN OUT




- Electrical Properties
- 1.100% Test(Open Short Miss Wire)
 - 2.Contact Resistance: 3Ω Maximum
 - 3.Insulation Resistance: 1MΩ Minimum
 - 4.Hi-Pot: 50V 10ms

P/N	L	L1	L2
P0000000907D0	500±30	480±30	1400±50
P0000000908D0	800±30	780±30	1700±50



金上達科技股份有限公司

GOLDENSUND TECHNOLOGY CO.,LTD

TOLERANCE UNLESS OTHERWISE SPECIFIED		PROJ. 	TITLE: Wire Harness 1.0mm 6Pin To 1.0mm 6Pin & RJ11 4P4C UL1571#28	
.x± 0.35	x.'± 2'	APR. Jay 20130204	PART NO. Ref. Table	DWG NO. P0000000907D0
.xx± 0.25	.x'± 1'	CHK. Michelle 20130204	UNITS: mm	
.xxx± 0.15	.xx'± 0.5'	DRA. Abel 20130204	CUSTOMER DRAWING	
		SIZE: A4	SCALE: FREE	SHEET 1 / 1
		REV: A0	V	

ITEM	PARTS NAME	SPECIFICATION STANDARD	Q'TY	REMARK
6	H.S. TUBE	∅2.5mm L=920mm Color:Black	1PCS	
5	H.S. TUBE	∅4.0mm L:Ref. Table Color:Black	1PCS	
4	WIRE	UL1571 28AWG OD=0.8mm(STD) Color:Ref. Pin Out	6PCS	
3	CONNECTOR	RJ11 4P4C Male Transparent Gold Flash	1PCS	
2	TERMINAL	1.00mm Phosphor Bronze Tin Plated	10PCS	
1	HOUSING	1.00mm 6Pin PBT UL94V-0 Color:White	2PCS	
MATERIAL LIST				