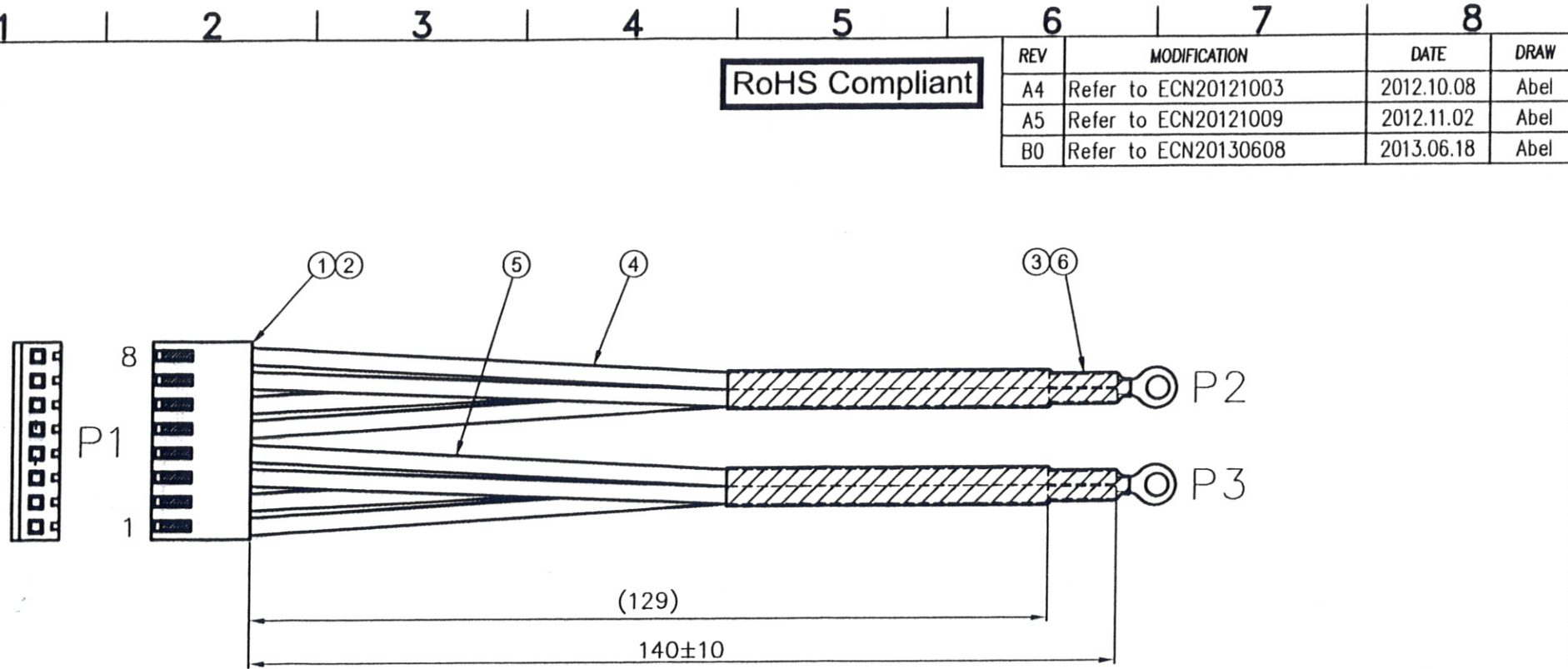


RoHS Compliant

REV	MODIFICATION	DATE	DRAW
A4	Refer to ECN20121003	2012.10.08	Abel
A5	Refer to ECN20121009	2012.11.02	Abel
B0	Refer to ECN20130608	2013.06.18	Abel



Note:
WNC P/N: 50.RSFB1.011

- Electrical Properties
- 100% Test(Open Short Miss Wire)
 - Contact Resistance: 3Ω Maximum
 - Insulation Resistance: 10MΩ Minimum
 - Hi-Pot: 300V 10ms



P1	Black	
8	Black	
7	Black	
6	Black	P2
5	Black	
4	White	
3	White	
2	White	P3
1	White	

PIN OUT

ITEM	PARTS NAME	SPECIFICATION	STANDARD	Q'TY	REMARK
6	H.S. TUBE	φ7.0mm L=65mm	Color:Black	2PCS	
5	WIRE	UL1015 18AWG OD=2.8mm(STD)	Color:Ref. Pin Out	4PCS	
4	WIRE	UL1015 18AWG OD=2.8mm(STD)	Color:Ref. Pin Out	4PCS	
3	TERMINAL	Ring Tongue Terminal	Copper Tin Plated ID=3.7mm OD=7.2mm	2PCS	
2	TERMINAL	3.96mm Brass Tin Plated	3Point Contact	8PCS	
1	HOUSING	3.96mm 8Pin Nylon66	UL94V-0 Color:White	1PCS	

金上達科技股份有限公司
GOLDENSUNDA TECHNOLOGY CO.,LTD

TOLERANCE UNLESS OTHERWISE SPECIFIED		PROJ.	TITLE: Wire Harness 3.96mm 8Pin To Ring Terminal UL1015#18 L=129mm	
.x± 0.35	x.* 2'	APR. Jay 20130618	PART NO. P0000000844D0	DWG NO. P0000000844D0
.xx± 0.25	.x* 1'	CHK. Michelle 20130618	UNITS: mm	
.xxx± 0.15	.xx* 0.5'	DRA. Abel 20130618	CUSTOMER DRAWING	
		SIZE: A4	SCALE: FREE	SHEET 1 / 1
		REV: B0	V	

1 2 3 4 5 6 7 8